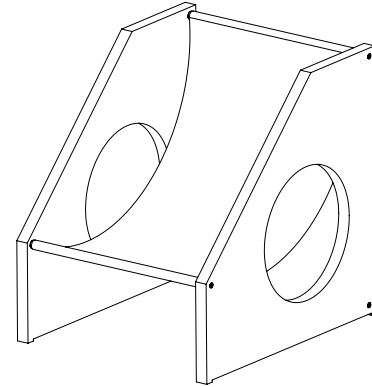


LE CHATelier

product name..... **hublot chair**
variation..... **02 - wood**
materials..... **25mm beech wood + 8 oz leather**
dimensions..... **h.810mm d.810mm w.660mm**
weight..... **25kg**
release date..... **march 2024**
authenticity..... **numbered + signed**
origin..... **montréal**
lead time..... **8 weeks**

wood version..... **4200\$ CAD**
acquire?..... **[contact](#)**



beech wood



raw 8 oz veg tan
leather

also available



walnut



maple or ash

assembly..... use a flat head screwdriver to loosely tighten the six screws, ensuring the leather is inserted into the two rods of the chair; finalize assembly by securely tightening all screws.
maintenance..... wipe clean with a dry non-abrasive cloth. Wood can be rejuvenated with danish oil and wax.
contact..... lechatelierjeremy@gmail.com
www.jeremylechatelier.com