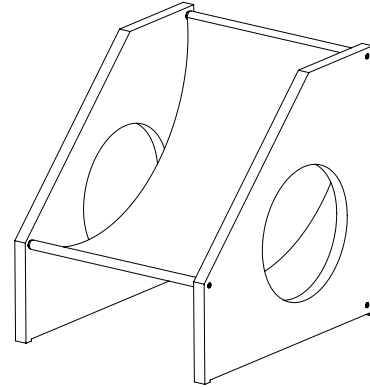


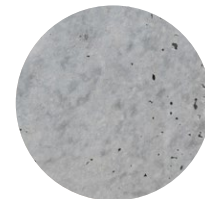
LE CHATelier

product name..... **hublot chair**
variation..... **03 - concrete**
materials..... **35mm concrete + steel mesh & jute**
dimensions..... **h.810mm d.810mm w.680mm**
weight..... **85kg**
release date..... **march 2024**
authenticity..... **numbered + signed**
origin..... **montréal**
lead time..... **12 weeks**

concrete version.... **6800\$ CAD**
acquire?..... **contact**



100% handmade & durable materials



concrete



steel mesh & jute

assembly..... use an allen key to loosely tighten the six screws, ensuring the fabric is inserted into the two rods of the chair; finalize assembly by securely tightening all screws.
maintenance..... wipe clean with a dry non-abrasive cloth. for tougher grime, a mild detergent solution can be applied before wiping it.
contact..... lechatelierjeremy@gmail.com
www.jeremylechatelier.com